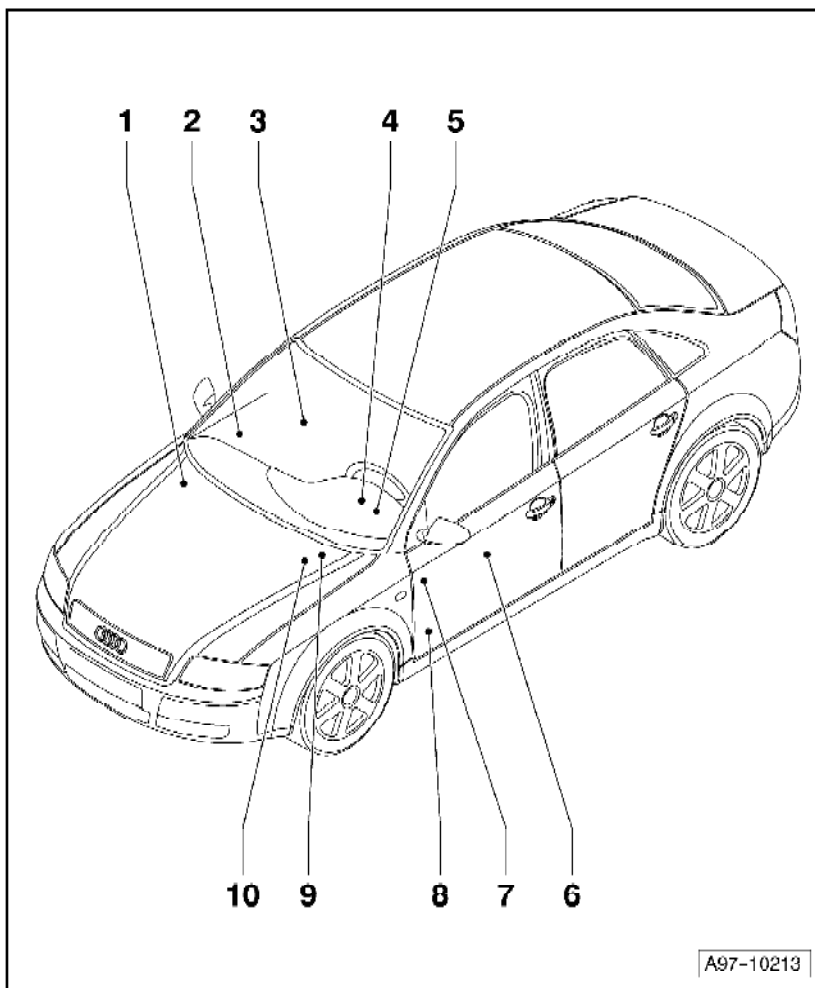


### Main fuse, connector stations, relay/fuse panels, from 08.04

#### Overview

- 1 - Main fuse**  
◆ ⇒ Fig. 1 page 15/3
- 2 - Connector station - right A-pillar**  
◆ ⇒ Fig. 2 page 15/4
- 3 - Connector station - RF seat wiring**  
◆ ⇒ Fig. 3 page 15/b
- 4 - Relay panel (9-position) at Vehicle Electrical System Control Module J519**  
◆ ⇒ Fig. 7 page 15/8 - 15/9
- 5 - Relay panel (4-position) with threaded connection**  
◆ ⇒ Fig. 8 page 15/10 - 15/11



**6 - Connector station - LF seat wiring**  
◆ ⇒ Fig. 4 page 15/5

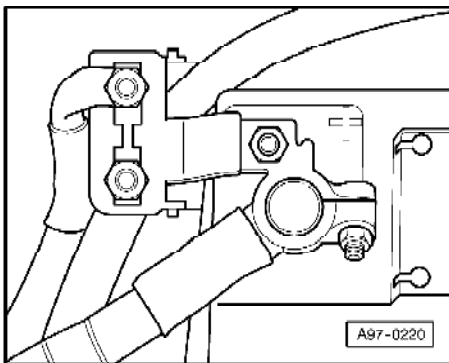
**7 - Fuse panel**  
◆ ⇒ Fig. 10 page 15/24 - 15/29

**8 - Connector station - left A-pillar**  
◆ ⇒ Fig. 5 page 15/6

**9 - Connector station with threaded connection**  
◆ → Fig. 6 page 15/7

**10 - Relay panel (4-position)**  
◆ ⇒ Fig. 9 page 15/12 - 15/23

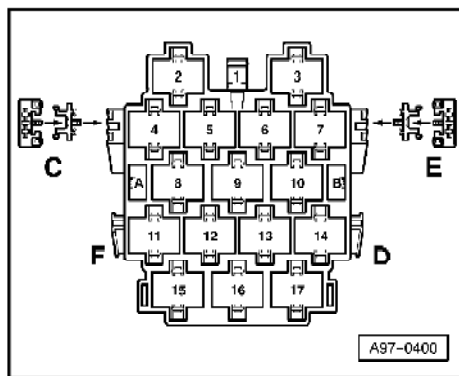
**Main fuse**



**Fig. 1 Main fuse**

◆ On the battery

S88 - Strip fuse - 150 A



### Connector stations

**Fig. 2** Connector station - left A-pillar

- ◆ Lower right, behind the trim

#### Fuse colors

- 10 A - red
- 30 A - green

#### Pin connectors:

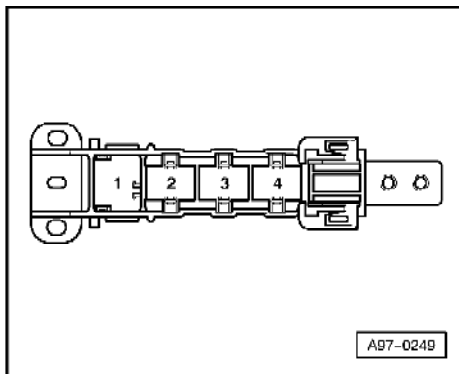
Item	Designation	Component
13	T6p - 6-pin connector, violet	Satellite radio
14	I6q - 6-pin connector, violet	Satellite radio
15	T1/c - 17-pin connector, red	Headlamp
16	T10y - 10-pin connector, blue	Headlamp

#### Fuses:

Item	Socket color	Designation	Fuse rating
E	black	Front Passenger's Power Seat Adjustment Circuit Breaker (S46)	30 A
E	black	Front Passenger's Power Seat Adjustment Circuit Breaker (S46)	10 A

#### Note:

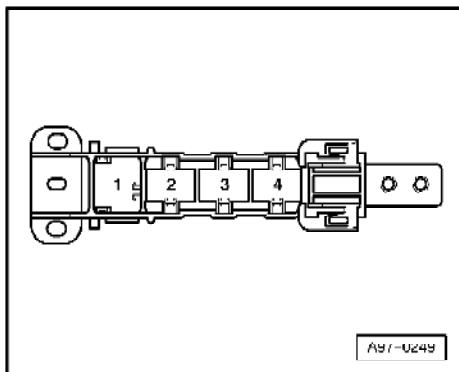
The remaining items in the connector point are not used.

**Fig. 3 Connector station - RF seat wiring**

◆ under front passenger's seat

**Pin connectors:**

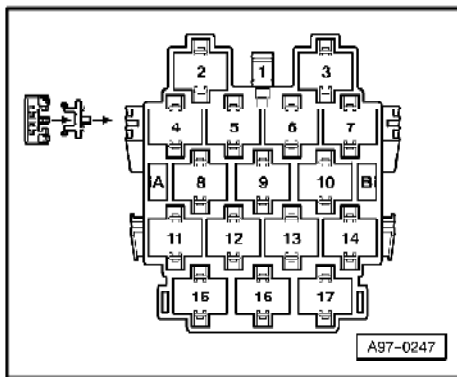
Item	Designation	Component
1	T3d - 3-pin connector, yellow	Side airbag
2	T10p - 10-pin connector, red	Supply
3	T6e - 6-pin connector, green	Seat heating
4	T8c - 8-pin connector, black	Safety belt buckle

**Fig. 4 Connector station - LF seat wiring**

◆ under driver's seat

**Pin connectors:**

Item	Designation	Component
1	T3c - 3-pin connector, yellow	Side airbag
2	T10o - 10-pin connector, red	Supply
3	T6d - 6 pin connector, green	Seat heating
4	T8b - 8-pin connector, black	Safety belt buckle



**Fig. 5** Connector station - left A-pillar

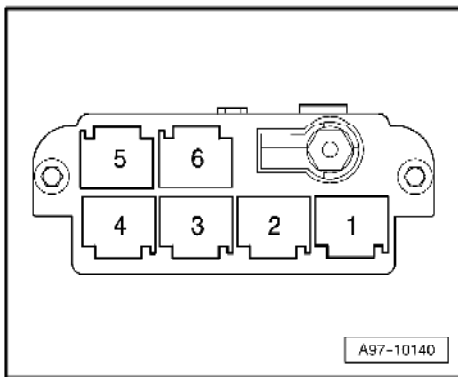
◆ Lower left A-pillar, behind side trim

**Pin connectors:**

Item	Designation	Component
8	T10i - 10-pin connector, blue	Parking aid (where applicable)
9	T17g - 17-pin connector, dark brown	Roof (connector 1)
10	T17f - 17-pin connector, orange	Roof (connector 2)
11	T6r - 6-pin connector, brown	Servotronic
12	T10k - 10-pin connector, white	Not applicable to USA.CDN models
13	T10c - 10-pin connector, violet	Wiper motor
14	I10d - 10-pin connector, grey	Fan/compressor
15	T17b - 17-pin connector, green	Left headlight (connector 3)
16	T17a - 17-pin connector, red	Left headlight (connector 2)
17	T17 - 17-pin connector, black	Left headlight (connector 1)

**Note:**

*The remaining items in the connector point are not used.*



**Fig. 6 Connector station with threaded connection**

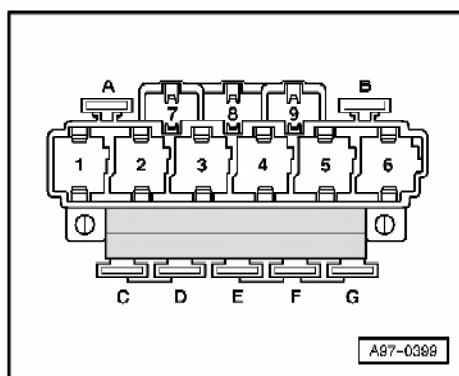
◆ In electronics box, plenum chamber

**Pin connectors:**

Item	Designation	Components
2	T17j - 17-pin connector, brown	Engine/transmission (connector 3)
3	T17d - 17-pin connector, red	Engine/transmission (connector 1)
6	T17e - 17-pin connector, white	Engine/transmission (connector 2)

**Note:**

*The remaining items in the connector point are not used.*



**Fig. 7 Relay panel (9-position) at Vehicle Electrical Equipment Control Module J519**

- ◆ Behind instrument panel, driver's side, behind 3-position relay panel

**Position of relays:**

Item	Socket color	Designation
1	green	J17 - Fuel Pump (FP) Relay
2	red	J236 - Servotronic Control Module
3	green	J695 - Starter Relay 2 <sup>1)</sup>
4	brown	J53 - Starter Relay 2 <sup>1)</sup> J569 - Brake Booster Relay <sup>2), 3)</sup>
5	purple	J9 - Rear Window Defogger Relay
6	black	J59 - Load Reduction Relay
8	black	J4 - Horn Relay
4	brown	J569 - Brake Booster Relay <sup>2), 4)</sup>

**Note:**

*The remaining items in the relay carrier are not used.*

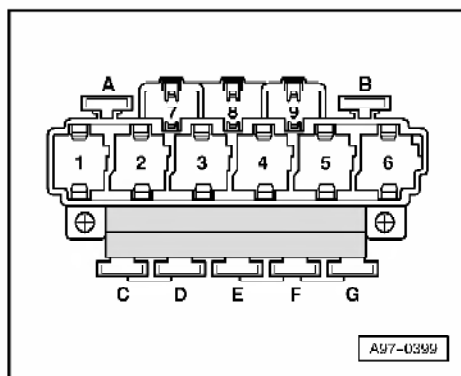
<sup>1)</sup> for engine code AUK, BKH, BNS only

<sup>2)</sup> not applicable for engine code AUK, BKH

<sup>3)</sup> through 2005 m. y.

<sup>4)</sup> from 2006 m. y.





**Fig. 7 Relay panel (9-position) at Vehicle Electrical System Control Module J519**

- ◆ Behind instrument panel, driver's side, behind 3-position relay panel

**Fuse colors**

- 10 A - red
- 30 A - green
- 40 A - orange

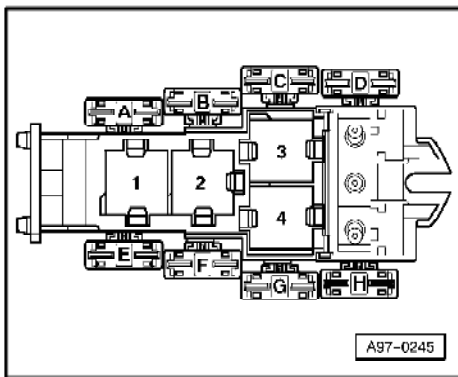
**Fuses:**

Item	Socket color	Designation	Fuse rating
A	brown	S100 - Rear Shade Circuit Breaker	10 A
B	brown	S100 - Rear Shade Circuit Breaker	10 A
D	brown	S280 - Window Regulator Fuse 2	30 A
E	red	S45 - Driver's Power Seat Adjustment Circuit Breaker 2	30 A
E	red	S45 - Driver's Power Seat Adjustment Circuit Breaker 2 (Lumbar Support Adjustment)	10 A
F	black	S37 - Power Window Fuse	30 A
G	green	S87 Trailer Circuit Breaker <sup>1)</sup> (where applicable)	30 A

**Note:**

*The remaining items in the relay carrier are not used*

<sup>1)</sup> through 2005 model year



**Fig. 8 Relay panel (4-position) with threaded connection**

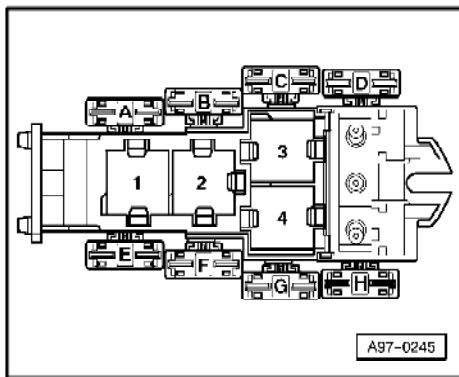
- ◆ Behind instrument panel, driver's side

**Position of relays:**

Item	Socket color	Designation
3	white	J662 - NG Engine Throttle Relay 1 (not applicable to USA/CDN models)
4	blue	J663 - NG Engine Throttle Relay 2 (not applicable to USA/CDN models)
4	blue	J610 - Alarm - On/Hands-free Control Module (not applicable to USA/CDN models)

**Note:**

*The remaining items in the relay carrier are not used.*



**Fig. 8 Relay panel (4-position) with threaded connection**

◆ Under instrument panel, driver's side

**Fuse colors**

- 10 A - red
- 30 A - green
- 40 A - orange
- 60 A - light-blue

**Fuses:**

Item	Socket color	Designation	Fuse rating
F	black	S51 - Fuse (Driver training vehicle) <sup>3)</sup> S42 - Coolant Fan Fuse <sup>1)</sup> S42 - Coolant Fan Fuse <sup>2)</sup>	10 A 40 A 40/60 A
G	black	S214 - Radiator Afterrun Fuse <sup>2)</sup> S214 - Radiator Afterrun Fuse <sup>1)</sup> S42 - Coolant Fan Fuse <sup>4)</sup>	30 A 40 A 40/60 A
H	brown	S123 - ABS Control Module Fuse 1	40 A

**Note:**

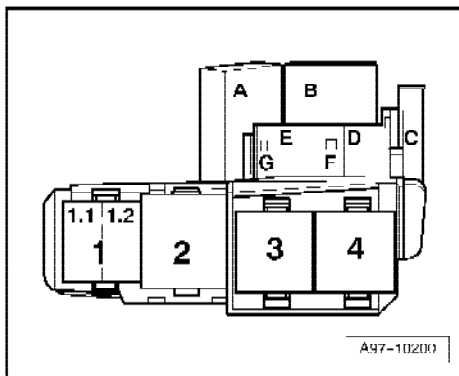
*The remaining items in the relay carrier are not used.*

<sup>1)</sup> Engine code BBK, BHF, BNS only

<sup>2)</sup> Engine code BKN only

<sup>3)</sup> not for Engine code BBK, BHF

<sup>4)</sup> not for Engine code BKN, BBK, BHF



**Fig. 9** Relay carrier (4-position), engine codes BGB, BPG, BYK, BWT

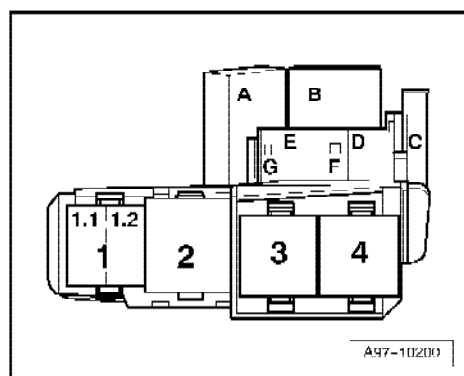
◆ in electronics box, plenum chamber

**Position of relays:**

Item	Socket color	Designation
1.2	blue	J207 - Starting Interlock Relay
2	brown	J271 - Motronic Engine Control Module (ECM) Power Supply Relay
3	black	J757 - Engine Component Power Supply Relay

**Note:**

*Remaining items in relay carrier are not used.*



**Fig. 9** Relay carrier (4-position), engine codes BGB, BPG, BYK, BWT

◆ in electronics box, plenum chamber

**Fuse colors**

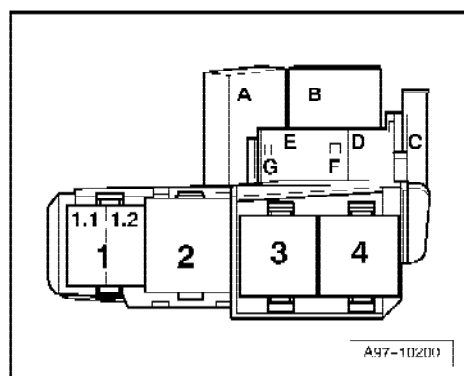
- 15 A - blue
- 20 A - yellow

**Fuses:**

Item	Socket color	Designation	Fuse rating
A	blue	S282 - Engine Electronics Fuse	15 A
B	brown	S345 - Engine Electronics Fuse 3	15 A
C	grey	S102 - Engine Control Module (FCM) Fuse	15 A
D	yellow	S131 - Safety Fuse 1	20 A
E	black	S344 - Engine Electronics Fuse 2	15 A
G	purple	S286 - Automatic Transmission After-Run Fuse	15 A

**Note:**

*Remaining items in relay carrier are not used.*



**Fig. 9** Relay carrier (4-position), engine codes BFB, BBK, BHF

in electronics box, plenum chamber

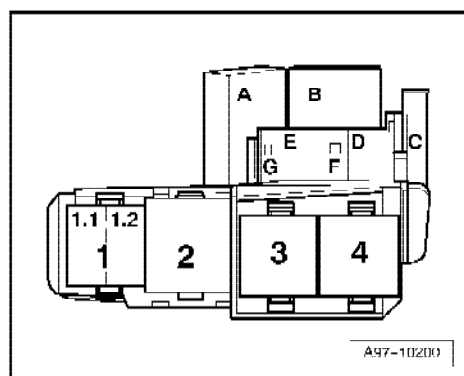
**Position of relays:**

Item	Socket color	Designation
1.1	blue	J151 - Coolant Circulation Pump Relay
1.2	blue	J207 - Starting Interlock Relay J434 - Starter, Clutch Pedal Switch Locking Relay <sup>1)</sup>
2	brown	J271 - Motronic Engine Control Module (ECM) Power Supply Relay
3	black	J299 - Secondary Air Injection (AIR) Pump Relay

**Note:**

Remaining items in relay carrier are not used.

<sup>1)</sup> engine codes BBK, BHF only



**Fig. 9** Relay carrier (4-position), engine codes BFB, BBK, BHF

◆ in electronics box, plenum chamber

**Fuse colors**

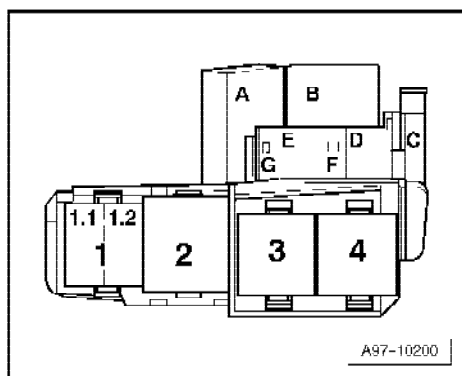
- 5 A - beige
- 15 A - blue
- 20 A - yellow
- 20 A - orange

**Fuses:**

Item	Socket color	Designation	Fuse rating
A	blue	S344 - Engine Electronics Fuse 2	15 A
B	black	S130 - Secondary Air Injection (AIR) Pump Fuse	40 A
C	grey	S286 - Automatic Transmission After-Run Fuse	15 A
D	yellow	S102 - Engine Control Module (ECM) Fuse	20 A
E	black	S116 - Injectors Fuse	15 A
G	red	S282 - Engine Electronics Fuse	15 A

**Note:**

*Remaining items in relay carrier are not used.*



**Fig. 9** Relay carrier (4-position), engine codes AUK, BKH

◆ in electronics box, plenum chamber

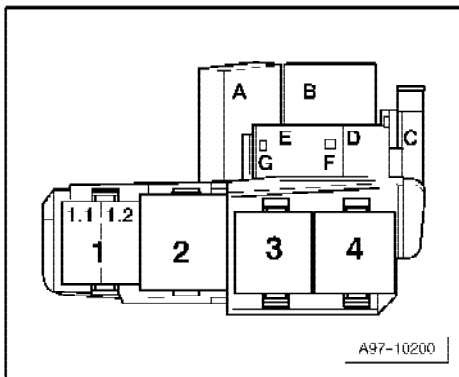
**Position of relays:**

Item	Socket color	Designation
1.1	blue	J496 - Auxiliary Engine Coolant (EC) Pump Relay
2	brown	J271 - Motronic Engine Control Module (ECM) Power Supply Relay
3	black	J757 - Engine Component Power Supply Relay

**Note:**

*Remaining items in relay carrier are not used.*





**Fig. 9** Relay carrier (4-position), engine codes AUK, BKH

◆ in electronics box, plenum chamber

**Fuse colors**

15 A - blue

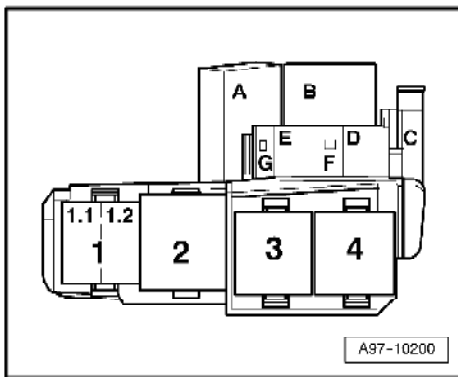
20 A - yellow

**Fuses:**

Item	Socket color	Designation	Fuse rating
A	blue	S344 - Engine Electronics Fuse 2	15 A
B	brown	S282 - Engine Electronics Fuse	15 A
C	grey	S102 - Engine Control Module (ECM) Fuse	15 A
D	yellow	S131 - Safety Fuse 1	20 A
E	black	S73 Heated Oxygen Sensor (HO2S) Circuit Breaker	15 A
G	purple	S286 - Automatic Transmission After-Run Fuse	15 A

**Note:**

Remaining items in relay carrier are not used.

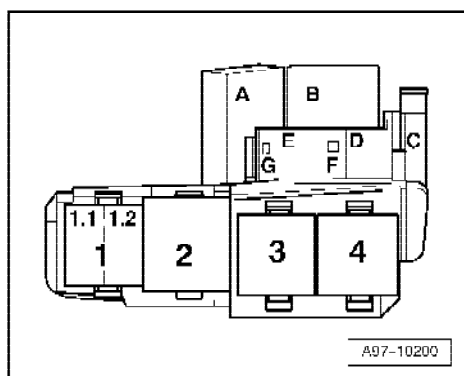


**Fig. 9** Relay panel (4-position), engine code BNS

◆ in electronics box, plenum chamber

**Position of relays:**

Item	Socket color	Designation
1.1	blue	J151 - Coolant Circulation Pump Relay
1.2	blue	J569 - Brake Booster Relay
2	brown	J271 - Motronic Engine Control Module (ECM) Power Supply Relay
3	black	J757 - Engine Component Power Supply Relay
4	black	J299 - Secondary Air Injection (AIR) Pump Relay



**Fig. 9 Relay carrier (4-position), engine codes BNS**

◆ in electronics box, plenum chamber

**Fuse colors**

- 10 A - red
- 15 A - blue
- 30 A - green
- 50 A - red

**Fuses:**

Item	Socket color	Designation	Fuse rating
A	blue	S344 - Engine Electronics Fuse 2	10 A
B	brown	S282 - Engine Electronics Fuse	15 A
C	grey	S102 - Engine Control Module (ECM) Fuse	15 A
D	yellow	S131 - Safety Fuse 1	30 A
E	black	S73 - Heated Oxygen Sensor (HIO2S) Circuit Breaker	15 A
E	red	S283 - Brake Vacuum Pump Fuse	15 A
11 <sup>1)</sup>	black	S130 - Secondary Air Injection (AIR) Pump Fuse	50 A

**Note:**

<sup>1)</sup> on underside of relay carrier

*Remaining items in relay carrier are not used.*

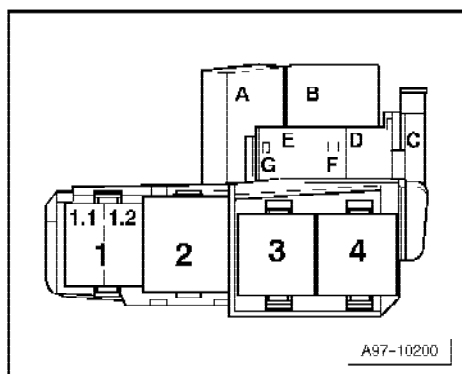


Fig. 9 Relay carrier (4-position), engine codes BBJ

♦ in electronics box, plenum chamber

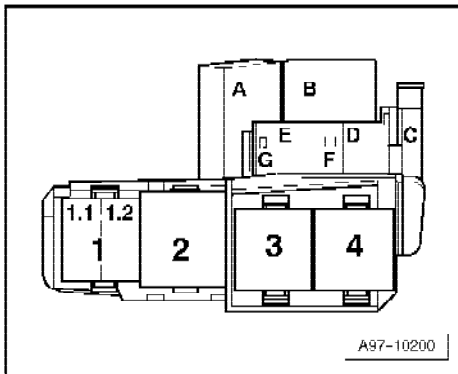
**Position of relays:**

Item	Socket color	Designation
1.1	blue	J151 - Coolant Circulation Pump Relay <sup>1)</sup>
1.2	blue	J207 - Starting Interlock Relay <sup>1)</sup>
2	brown	Motronic Engine Control Module (ECM) Power Supply Relay <sup>1)</sup>
3	black	J299 - Secondary Air Injection (AIR) Pump Relay <sup>1)</sup>

**Note:**

*Remaining items in relay carrier are not used.*

<sup>1)</sup> manual transmission or automatic transmission (multitronic 01J/multitronic 0AN) only



**Fig. 9** Relay carrier (4-position), engine codes BBJ

♦ in electronics box, plenum chamber

**Fuse colors**

- 15 A - blue
- 20 A - yellow
- 40 A - orange

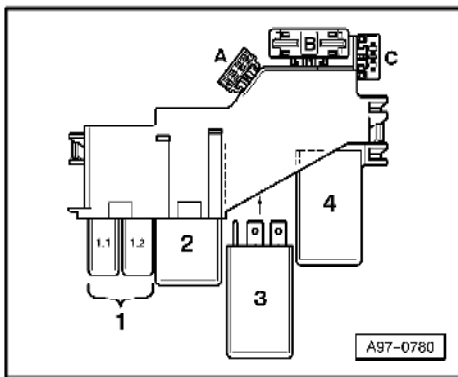
**Fuses:**

Item	Socket color	Designation	Fuse rating
A	blue	S344 - Engine Electronics Fuse 2 <sup>1)</sup>	15 A
B	black	S130 - Secondary Air Injection (AIR) Pump Fuse <sup>1)</sup>	40 A
C	grey	S286 - Automatic Transmission After Run Fuse <sup>1)</sup>	15 A
D	yellow	S102 - Engine Control Module (ECM) Fuse <sup>1)</sup>	20 A
E	black	S116 - Injectors Fuse <sup>1)</sup>	15 A
G	red	S282 - Engine Electronics Fuse <sup>1)</sup>	15 A

**Note:**

Remaining items in relay carrier are not used.

<sup>1)</sup> manual transmission or automatic transmission (multitronic 01J/multitronic 0AN) only



**Fig. 9** Relay panel (4-position), engine code BBJ

◆ in electronics box, plenum chamber

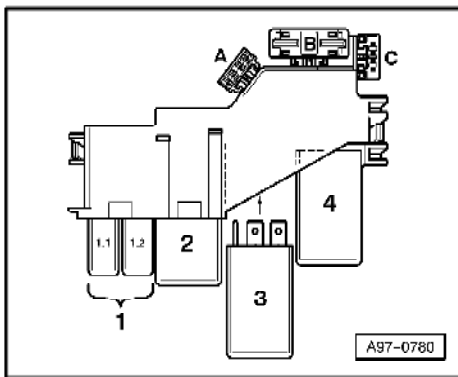
**Position of relays:**

Item	Socket color	Designation
1.1	blue	J151 - Coolant Circulation Pump Relay <sup>1)</sup>
1.2	blue	J207 - Starting Interlock Relay <sup>1)</sup>
2	brown	J271 - Motronic Engine Control Module (ECM) Power Supply Relay <sup>1)</sup>
3	black	J299 - Secondary Air Injection (AIR) Pump Relay <sup>1)</sup>

**Note:**

*The remaining items in the relay carrier are not used.*

<sup>1)</sup> automatic transmission (AG5) only



**Fig. 9** Relay panel (4-position), engine code BBJ

◆ in electronics box, plenum chamber

**Fuse colors**

- 15 A - blue
- 20 A - yellow
- 40 A - orange

**Fuses:**

Item	Socket color	Designation	Fuse rating
A	yellow	S102 - Engine Control Module (ECM) Fuse <sup>1)</sup>	20 A
B	black	S130 - Secondary Air Injection (AIR) Pump Fuse <sup>1)</sup>	40 A
C	red	S282 - Engine Electronics Fuse <sup>1)</sup>	15 A
D	blue	S344 - Engine Electronics Fuse 2 <sup>1)</sup>	15 A
E	black	S116 - Injectors Fuse <sup>1)</sup>	15 A

**Note:**

*The remaining items in the relay carrier are not used.*

<sup>1)</sup> automatic transmission (AG5) only

### Fuse Panel

Fig. 10 Fuse panel

◆ In instrument panel, left

#### Fuse colors

- 35 A - green-blue
- 30 A - green
- 25 A - white
- 20 A - yellow
- 15 A - blue
- 10 A - red
- 7.5 A - brown
- 5 A - beige

#### Note:

From fuse number 23 upwards, fuses in fuse panel are designated as 223 etc. in the Wiring Diagram

#### Fuses:

No.	Designation in wiring diagram	Fuse rating	Function/Component	Terminal
1	- S1 - Fuse (on fuse/relay panel)	10 A	- J255 - Climatronic Control Module	30
2	- S2 - Fuse (on fuse/relay panel)	5 A	- W9 - Left Footwell Light W10 - Right Footwell Light W45 - Left Rear Footwell Light W46 - Right Rear Footwell Light	30



No.	Designation in wiring diagram	Fuse rating	Function/Component	Terminal
3	S3 - Fuse (on fuse/relay panel)	5 A	Z20 - Left Washer Nozzle Heater Z21 - Right Washer Nozzle Heater	75x
4	S4 - Fuse (on fuse/relay panel)	5 A	J293 - Coolant Fan Control (FC) Control Module J671 - Coolant Fan Control (FC) Control Module 2	87
5	S5 - Fuse (on fuse/relay panel)	10 A	E149 - Rear Window Shade Switch E272 - Function Selector Switch II F189 - Tiptronic Switch G266 - Oil Level Thermal Sensor J262 - Rear Window Shade Control Module J401 - Navigation System with CD Drive Control Module J416 - Parking Aid Control Module	15
6	S6 - Fuse (on fuse/relay panel)	5 A	G65 - High Pressure Sensor G238 - Sensor for air quality	15
7	S7 - Fuse (on fuse/relay panel)	10 A	E132 - Anti-Slip Control Switch F36 - Clutch Pedal Switch F47 - Brake Pedal Switch J104 - ABS Control Module	15
8	S8 - Fuse (on fuse/relay panel)	5 A	R36 - Telephone Transceiver R86 - Telephone Amplifier	30
9	S9 - Fuse (on fuse/relay panel)	15 A	J569 - Brake Booster Relay	30

No.	Designation in wiring diagram	Fuse rating	Function/Component	Terminal
10	- S10 - Fuse (on fuse/relay panel)	5 A	- E102 - Headlamp Adjuster J431 - Headlamp Range Control Module J745 - Headlamp Range/Cornering Lamp Control Module V48 - Left Headlamp Beam Adjusting Motor V49 - Right Headlamp Beam Adjusting Motor V319 - Right Dynamic Cornering Light Motor	15
11	- S11 - Fuse (on fuse/relay panel)	5 A	- J234 - Airbag Control Module K145 - Warning Lamp for airbag off, passenger side	15
12	- S12 - Fuse (on fuse/relay panel)	10 A	- T16 - 16-pin connector, black, diagnostic connector	30
13	- S13 - Fuse (on fuse/relay panel)	10 A	- J527 - Steering Column Electronic Systems Control Module	30
14	- S14 - Fuse (on fuse/relay panel)	10 A	- F - Brake Light Switch	30
15	- S15 - Fuse (on fuse/relay panel)	10 A	- J285 - Instrument Cluster Control Module J401 - Navigation System with CD Drive Control Module	30
16	- S16 - Fuse (on fuse/relay panel)	5 A	- F284 - Garage Door Opener Control Head J530 - Garage Door Opener Control Module	15
17	- S17 - Fuse (on fuse/relay panel)	10 A	- G397 - Rain/Light Recognition Sensor J446 - Parking Aid Control Module J502 - Tire Pressure Monitoring Control Module	30
18	- S18 - Fuse (on fuse/relay panel)	5 A	- V318 - Left Dynamic Cornering Light Motor	15

No.	Designation in wiring diagram	Fuse rating	Function/Component	Terminal
19	- S19 - Fuse (on fuse/relay panel)	15 A	- L22 - Left Front Fog Lamp L23 - Right Front Fog Lamp	55
20	- S20 - Fuse (on fuse/relay panel)	-	- Vacant	
21	- S21 - Fuse (on fuse/relay panel)	-	- Vacant	
22	- S22 - Fuse (on fuse/relay panel)	15 A	- J386 - Driver's Door Control Module J387 - Front Passenger's Door Control Module	30
23	- S223 - Fuse (on fuse panel)	15 A	- J388 - Left Rear Door Control Module J389 - Right Rear Door Control Module	30
24	- S224 - Fuse (on fuse panel)	20 A	- J393 - Comfort System Central Control Module	30
25	- S225 - Fuse (on fuse panel)	30 A	- J126 - Fresh Air Blower Control Module	30
26	- S226 - Fuse (on fuse panel)	30 A	- J9 - Rear Window Defogger Relay	30
27	- S227 - Fuse (on fuse panel)	30 A	- J345 - Towing Recognition Control Module	30
28	- S228 - Fuse (on fuse panel)	20 A	- G6 - Transfer Fuel Pump (FP) J538 - Fuel Pump (FP) Control Module	87
29	- S229 - Fuse (on fuse panel)	-	- Vacant	
30	- S230 - Fuse (on fuse panel)	20 A	- J245 - Power Sunroof Control Module	30

No.	Designation in wiring diagram	Fuse rating	Function/Component	Terminal
31	S231 - Fuse (on fuse panel)	15 A	<ul style="list-style-type: none"> <li>F4 - Back-Up Light Switch</li> <li>G70 - Mass Air Flow (MAF) Sensor</li> <li>G399 - Light Recognition Sensor</li> <li>J207 - Starting Interlock Relay</li> <li>J217 - Transmission Control Module (TCM)</li> <li>N110 - Shift Lock Solenoid</li> <li>T16 - 16-position Connector, black, diagnostic connection</li> <li>Y7 - Automatic Day/Night Interior Mirror</li> </ul>	15
32	S232 - Fuse (on fuse panel)	15 A	U10 - Trailer Socket <sup>2)</sup>	75x
33	S233 - Fuse (on fuse panel)	15 A 20 A	<ul style="list-style-type: none"> <li>U1 - Cigarette Lighter</li> <li>U1 - Cigarette Lighter <sup>1)</sup></li> </ul>	30
34	S234 - Fuse (on fuse panel)	30 A 20 A	<ul style="list-style-type: none"> <li>U5 - 12 V Socket</li> <li>U5 - 12 V Socket <sup>1)</sup></li> </ul>	30
35	S235 - Fuse (on fuse panel)	30 A 20 A	<ul style="list-style-type: none"> <li>U - Socket</li> <li>U - Socket <sup>1)</sup></li> </ul>	30
36	S236 - Fuse (on fuse panel)	30 A	<ul style="list-style-type: none"> <li>J519 - Vehicle Electrical System Control Module</li> <li>V12 - Rear Window Wiper Motor</li> </ul>	75x

**Note:**

<sup>1)</sup> Valid from February 2005

<sup>2)</sup> Applicable from 2006 model year

No.	Designation in wiring diagram	Fuse rating	Function/Component	Terminal
37	- S237 - Fuse (on fuse panel)	30 A	- J519 - Vehicle Electrical System Control Module V11 - Headlamp Washer Pump	75x
38	- S238 - Fuse (on fuse panel)	15 A	- G303 - Radar Interior Monitoring Control Module 1 H12 - Alarm Horn J393 - Comfort System Central Control Module	30
39	- S239 - Fuse (on fuse panel)	20 A	- T8 - 8-Pin Connector, black, radio connector III R - Radio R12 - Amplifier	30
40	- S240 - Fuse (on fuse panel)	25 A	- H2 - High Tone Horn H7 - Low Tone Horn J4 - Horn Relay	30
41	- S241 - Fuse (on fuse panel)	30 A	- J364 - Auxiliary Heater Control Module R64 - Auxiliary Heater Radio Receiver	30
42	- S242 - Fuse (on fuse panel)	25 A	- J104 - ABS Control Module	30
43	- S243 - Fuse (on fuse panel)	15 A	- G70 - Mass Air Flow (MAF) Sensor G212 - EGR Potentiometer J363 - SIMOS Control Module Power Supply Relay J623 - Engine Control Module (ECM) J757 - Engine Component Power Supply Relay N18 - EGR Vacuum Regulator Solenoid Valve	15
44	- S244 - Fuse (on fuse panel)	30 A 35 A	- J255 - Climatronic Control Module <sup>1)</sup> J255 - Climatronic Control Module <sup>2)</sup>	30

**Note:**

<sup>1)</sup> through 2005 model year

<sup>2)</sup> from 2006 model year